

*Imag Scanner* **36"wide**

# SK200-09-AME



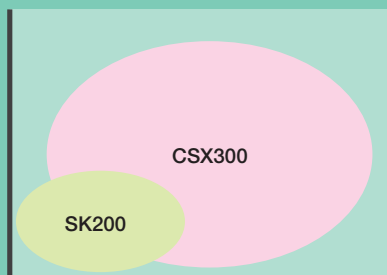
- ▶ *36" face-up scanner designed for ease of use*
- ▶ *Superior price/performance*
- ▶ *±0.1% high precision, 600 dpi optical resolution, 1200 dpi interpolated resolution*
- ▶ *Comes with the Scanning Master 21+ that implements the simple copy output function*



\* Stand Option

## Target market

Graphic Arts  
 Reprographics  
 Corporate graphics  
 Mapping  
 GIS  
 Architecture  
 Engineering  
 CAD/GIS(Monochrome)  
 Apparel  
 Monochrome Color



## Comparison chart

	SK200-09-AME	CSX300-09
Target market	Monochrome	Full color
Resolution	1200 dpi	9600 dpi
Scan length	16 m	999 m



CSX300-09  
 \* Stand Option

# Imag Scanner 36"wide SK200-09-AME

## A 36inch face-up scanner designed for ease of use

The document is loaded so the scanning surface face up (Face-Up system), helping prevent scanning errors when the drawing is loaded.

## ±0.1% high precision, 600-dpi optical resolution, 1200-dpi interpolated resolution

In addition to the 600-dpi optical resolution, the SK200 lets you select 1200-dpi interpolated resolution to suit the complexity of your drawing and scanning application.

## Comes with a Scanning Master 21+ that implements the Simple Copy output function

The bundled, easy-to-use Scanning Master 21+ software offers a Simple Copy button to further enhance scanner usability and to provide support for work procedures.

Item		Specifications			
Document Size		Maximum 965mm、 Minimum 257mm			
Effective scanning area	Width	Maximum 932.2mm (Setting scanning width) 、 Minimum 50mm			
	Length	Maximum 16m (Scanning margin include) 、 Minimum 30mm			
Document Size		JIS A0,A1,A2,A3,A4、 DIN A0,A1,A2,A3,A4、 ANSI Engineering E,D,C,B,A ANSI Architectural E,D,C,30/36inch、 Paper width user setting			
Document Thickness		Maximum 0.8mm or less、 Minimum 0.05mm			
Scanning Margin		Front and Rear 4mm±0.5mm			
Scanning System		Main scanning	Contact image sensor system ( Five A4 sensors in a zigzag pattern )		
		Sub scanning	Document travel ( sheet through ) system		
Scanning side		Upper side (Face up)			
Optical Resolution		600dpi			
Interpolated Resolution		100/200/300/400/600/800/1200dpi			
Scanning mode		High speed / Standard / High grade			
Scanning Speed *2	Mode	High speed	Standard	High grade	
	Monochrome	8 s	14 s	18 s	
	Gray	23 s	26 s	33 s	
	24bit color	62 s	75 s	100 s	
Scanning Precision *3		Distance Accuracy	±0.1% or less or ±1Pixel Which ever is larger		
Gradation		Monochrome	Bilevel, Intermediate tones (dithering, error diffusion)		
		Gray	256 shades		
		Color	24-bit		
Threshold value		Automatic threshold settings by DSP during monochrome mode			
Color space		s RGB			
Interface		USB2.0			
Output		Image data			
Rated power supply		AC100~120V/200~230V±10%,50/60Hz			
Operating environment		Temperature : 10~32°C Humidity : 20~80%R.H. ( non-condensing )			
Power consumption		60W or less (12W or less in power save mode *4)			
External dimensions (W×H×D)		1,205mm × 140mm × 300mm (with out Stand)			
Weight (approx)		Main unit	22kg		
		Stand	10kg		

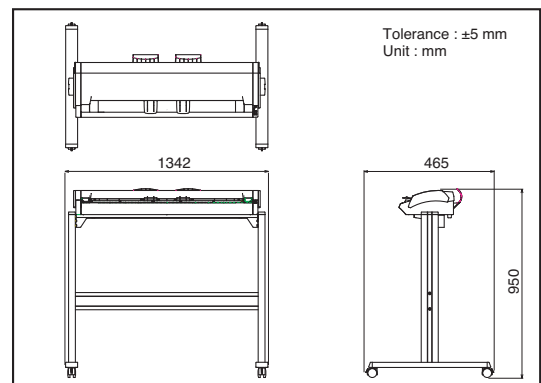
\*1: If the document is a long-length document, the actual length that can be scanned is limited by the available memory (hard disk or other data storage device) of the computer to which the scanner is connected, and also by the grade of the medium being scanned.

\*2: Scan speed may decrease according to the operating environment especially when displaying multiple data simultaneously or using multiple application software simultaneously.

\*3: Notes on scanning precision Scanning precision may vary slightly depending on the grade and thickness of the medium being scanned, and on the operating condition.

## Accessories for scanner unit

Item	Q'ty
1 Power cable	1
2 CD-ROM	1
4 USB Interface cable (3m)	1
5 Setup manual	1
6 Document returner (Rear guide)	1
7 Document support guide	1
8 Cleaning paper	1
9 Color adjustment kit	1



Brand names and product names listed in this brochure are the trademarks or registered trademarks of their respective owners. Specifications are subject to change without notice.

\* Stand Option

# GRAPHTEC

Graphtec Corporation

503-10 Shinano-cho, Totsuka-ku, Yokohama 244-8503, Japan

Tel : +81-45-825-6250 Fax : +81-45-825-6396

Email : webinfo@graphtec.co.jp

Website <http://www.graphteccorp.com>